

1

2

3

4

5

A

A

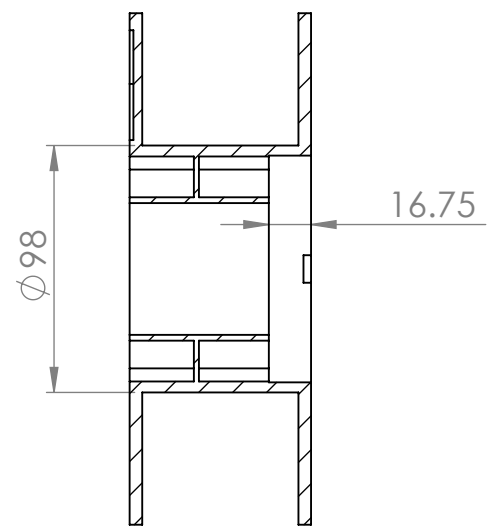
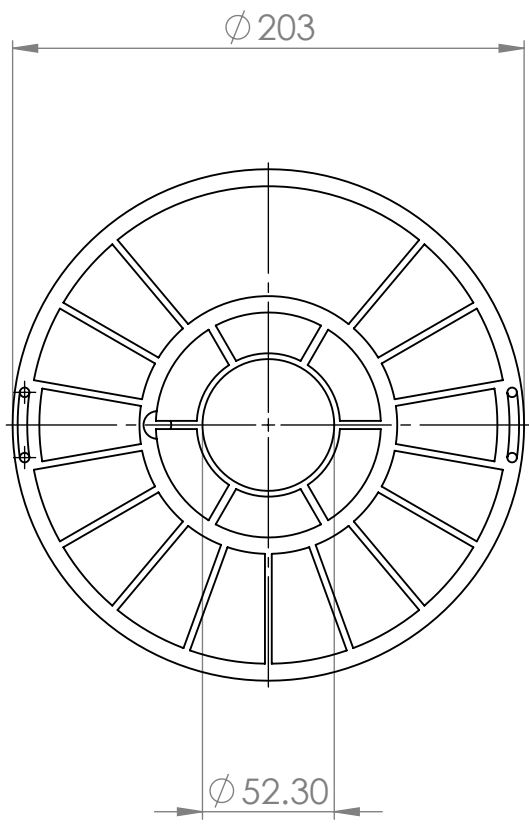
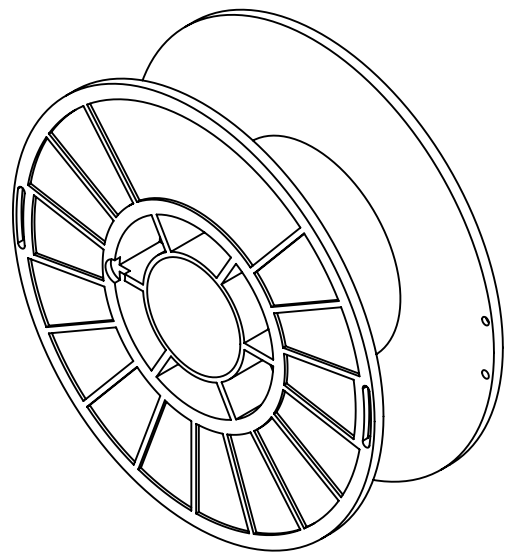
B

B

C

C

D



Description:				<h1>Pro Series Spool</h1>	
File:				<h2>Pro Series Spool</h2>	
Units:	TOLERANCES:	Date:	Revision:		
Metric	FRACTIONAL \pm	6/6/2016			
mm	ANGULAR: MACH \pm				
	TWO PLACE DECIMAL \pm				
	THREE PLACE DECIMAL \pm				
SCALE: 1:5				SHEET 1 OF 1	

	NAME	SIGNATURE	DATE
DRAWN			
APPV'D			